


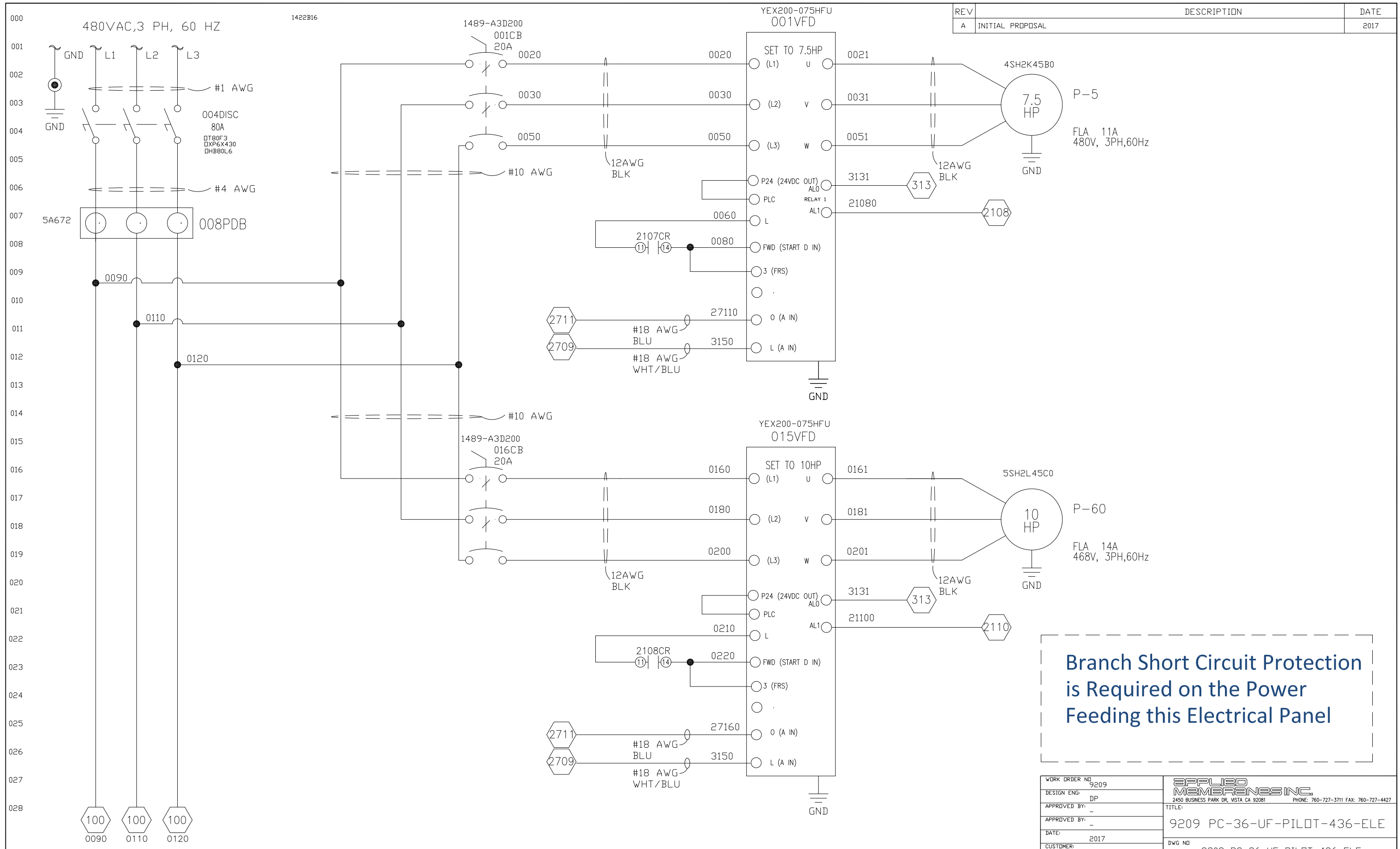
REV	DESCRIPTION	DATE
A	INITIAL PROPOSAL	2017

TAG NO.	DESCRIPTION	PART NUMBER	QUANTITY
1	PRESSURE TRANSMITTER 150 PSI	100-150-1-1-2-7	5
2	CIRCUIT BREAKER 40A 3POLE	140U-G2C3-C40	1
3	ENCLOSURE 60"H X 48"W X 16"D	1422B16	1
4	CIRCUIT BREAKER 2A 1POLE	1489-A1D020	1
5	CIRCUIT BREAKER 5A 1POLE	1489-A1D050	1
6	CIRCUIT BREAKER 1A 2POLE	1489-A2D010	2
7	CIRCUIT BREAKER 2A 2POLE	1489A2D020	3
8	CIRCUIT BREAKER 20A 2POLE	1489-A2D200	1
9	CIRCUIT BREAKER 20A 3POLE	1489-A3D200	2
10	VALVE BUTTERFLY ELEC ACTUATED	199 140 004	1
11	VALVE BUTTERFLY ELEC ACTUATED	199 140 005	3
12	TERMINAL BLOCK DOUBLE DECK	2002-2201	7
13	TERMINAL BLOCK TRIPLE DECK	2002-3201	6
14	TERMINAL BLOCK TRIPLE DECK	2002-3217	12
15	TEMP BLIND TRANSMITTER 4-20MA	3-2350-3	1
16	PUMP 100GPM 60PSI 316SS 7.5HP	4SH2K45B0	1
17	POWER DISTRIBUTION BLOCK, 175	5A672	1
18	PUMP 300GPM 40 PSI 316SS	5SH2L45C0	1
19	TOUCHSCREEN 12"	6AV21240MC010AX0	1
20	PLC, CPU1214C AC/DC/RLY	6ES7214-1BG31-0XB0	1
21	MODULE DIGITAL I/O 8DI 24VDC 8	6ES7223-1PH30-0XB0	1
22	SEIMENTS- 8 ANALOG INPUT CARD	6ES72314HF320XB0	1
23	ANALOG OUTPUT 2AO;0-20mA 13BIT	6ES7232-4HB30-0XB0	1
24	ETHERNET SWITCH 5 PORT 24VDC	6GK50050BA001AB2	1
25	RELAY 24VDC DPDT MINI 5 AMPS	700HK32Z24	9
26	RELAY BASE	700-HN122	9
27	PUMP 900 GPM 30 PSI 316SS	72327	1
28	FLOW OPTION PLC TOUCHSCREEN 2"	A210-HMI-2	2
29	FLOW OPTION PLC TOUCHSCREEN 8"	A210-HMI-8	1
30	CH ESR5-NO-21-24VAC-DC SAFETY	ESR5-NO-21-24VAC-DC	1
31	FLOW SWITCH POLYPRO 3/8" MNPT	FS-380P-0.07GPM	1
32	PB 22MM PLASTIC YEL FLUSH	GCX3103	1
33	22MM PLASTIC RED 40MM MUSHROOM	GCX3131	1
34	FAN PACKAGE PLASTIC FILTERED	ISC-100PFFP-236	1
35	PUMP METERING 59GPH, BLACKLINE	MD2FKTPN1A-XXX	1
36	HANDLE DISCONNECT BLACK 80MM	OHB80L6	1
37	DISCONNECT SWITCH 80A 3POLE	OT80F3	1
38	SHAFT 16.9"	OXp6X430	1
39	POWER SUPPLY 24VDC 60W 2.5A	PS5R-SD24	1
40	TRANSFORMER 2KVA PRI480 - SEC240/120	T253012S	1
41	VFD 360-480V 30 HP HITACHI	YEL300P-220HFU2	1
42	VFD 380-480V/3PH 10HP HITACHI	YEX200-075HFU	2
43	CHEMICAL TANK LSL	YFL1PPAS-CHEM50	2

BOM

THIS PRINT CONTAINS CONFIDENTIAL INFORMATION WHICH IS THE SOLE PROPERTY OF APPLIED MEMBRANES, INC. BY ACCEPTING THIS INFORMATION, THE BORROWER AGREES THAT IT WILL NOT BE USED FOR ANY PURPOSE OTHER THAN THAT FOR WHICH IT WAS LOANED. ALL PERSONS WORKING WITH THIS INFORMATION AND RELATED INFORMATION SHOULD ACKNOWLEDGE AND EXERCISE A SENSE OF CONFIDENTIALITY.

WORK ORDER NO: 9209	 2450 BUSINESS PARK DR, VISTA, CA 92081 PHONE: 760-727-3711 FAX: 760-727-4427
DESIGN ENG: DP	
APPROVED BY: -	TITLE: 9209 PC-36-UF-PILOT-436-ELE
APPROVED BY: -	DWG NO: 9209 PC-36-UF-PILOT-436-ELE
DATE: 2017	SCALE: NONE
CUSTOMER: -	SHEET: BOM



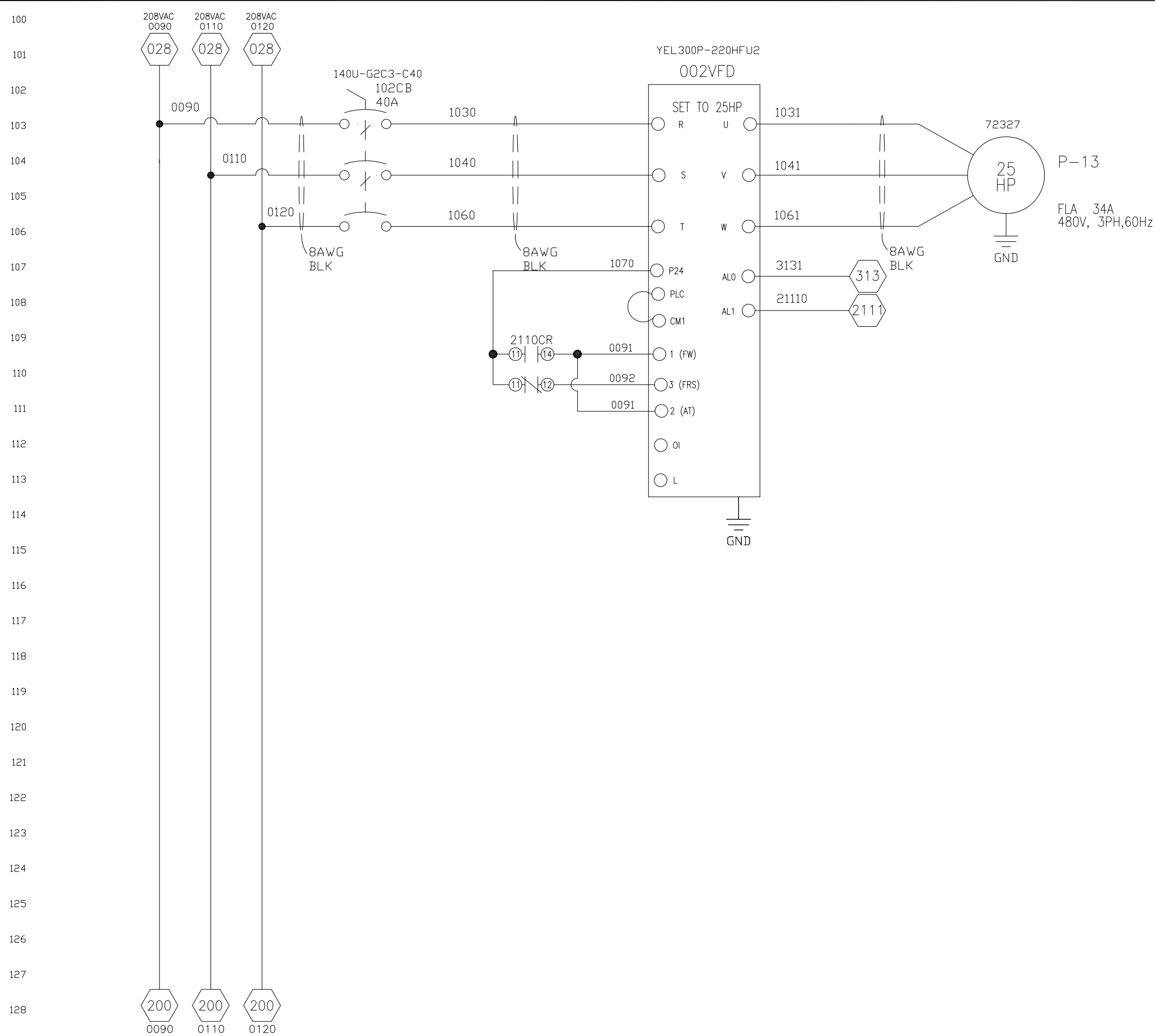
REV	DESCRIPTION	DATE
A	INITIAL PROPOSAL	2017

**Branch Short Circuit Protection
is Required on the Power
Feeding this Electrical Panel**

WORK ORDER NO: 9209 DESIGN ENG: DP APPROVED BY: - DATE: 2017 CUSTOMER: -	APPLIED MEMBRANES INC. 2450 BUSINESS PARK DR, WSTA CA 92081 PHONE: 760-727-3711 FAX: 760-727-4427 TITLE: 9209 PC-36-UF-PILOT-436-ELE DWG NO: 9209 PC-36-UF-PILOT-436-ELE SCALE: NONE SHEET 1 - CP100
--	---

THIS PRINT CONTAINS CONFIDENTIAL INFORMATION WHICH IS THE SOLE PROPERTY OF APPLIED MEMBRANES, INC. BY ACCEPTING THIS INFORMATION, THE BORROWER AGREES THAT IT WILL NOT BE USED FOR ANY PURPOSE OTHER THAN THAT FOR WHICH IT WAS LOANED. ALL PERSONS WORKING WITH THIS INFORMATION AND RELATED INFORMATION SHOULD ACKNOWLEDGE AND EXERCISE A SENSE OF CONFIDENTIALITY.

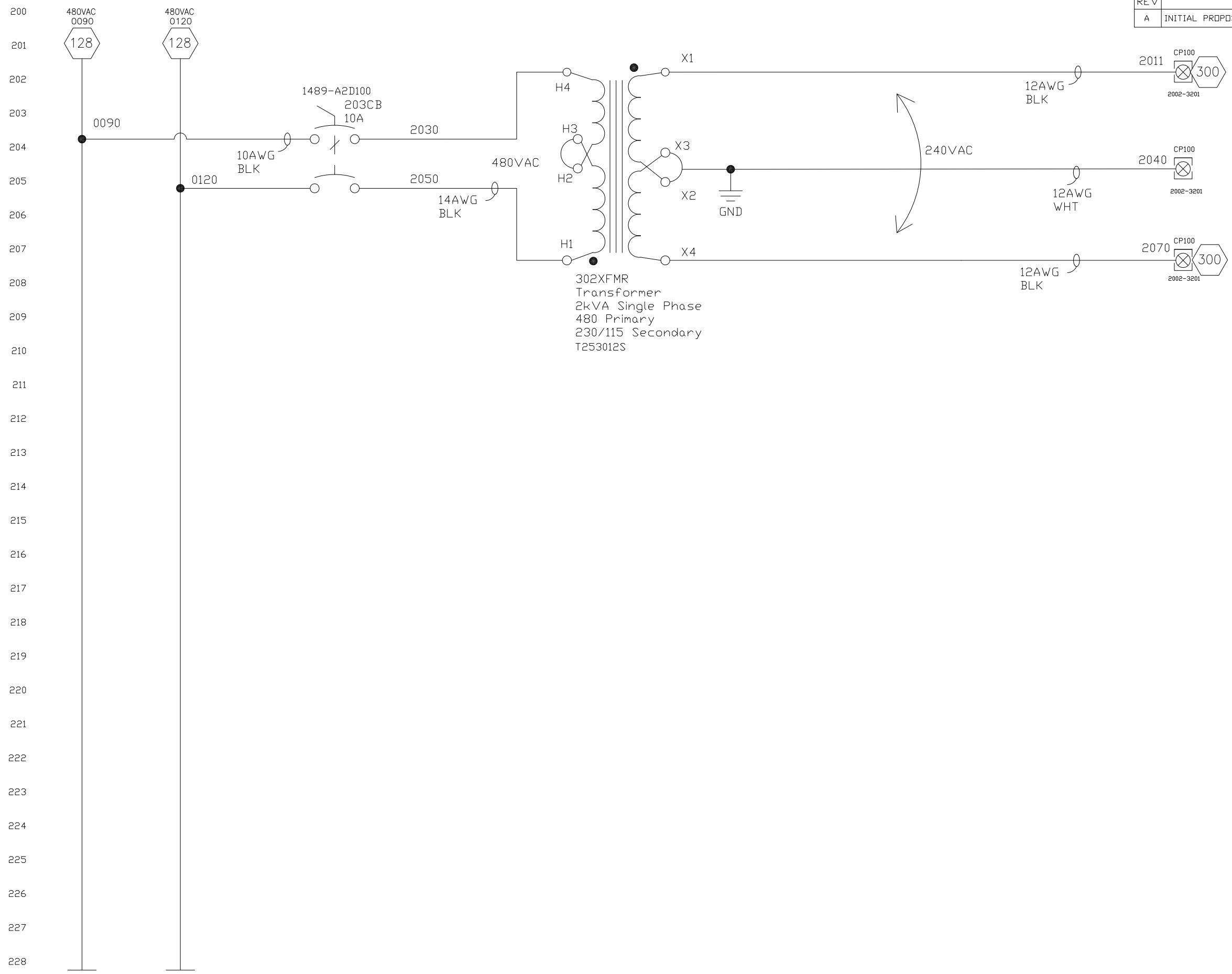
REV	DESCRIPTION	DATE
A	INITIAL PROPOSAL	2017



THIS PRINT CONTAINS CONFIDENTIAL INFORMATION WHICH IS THE SOLE PROPERTY OF APPLIED MEMBRANES, INC. BY ACCEPTING THIS INFORMATION, THE BORROWER AGREES THAT IT WILL NOT BE USED FOR ANY PURPOSE OTHER THAN THAT FOR WHICH IT WAS LOANED. ALL PERSONS WORKING WITH THIS INFORMATION AND RELATED INFORMATION SHOULD ACKNOWLEDGE AND EXERCISE A SENSE OF CONFIDENTIALITY.

WORK ORDER NO:	9209	APPLIED MEMBRANES INC. 2450 BUSINESS PARK DR, VISTA CA 92081 PHONE: 760-727-3711 FAX: 760-727-4427	
DESIGN ENG:	DP		
APPROVED BY:	-	TITLE:	
APPROVED BY:	-	9209 PC-36-UF-PILOT-436-ELE	
DATE:	2017	DWG NO	
CUSTOMER:	-	9209 PC-36-UF-PILOT-436-ELE	
		SCALE NONE	SHEET 1 - CP100

REV	DESCRIPTION	DATE
A	INITIAL PROPOSAL	2017

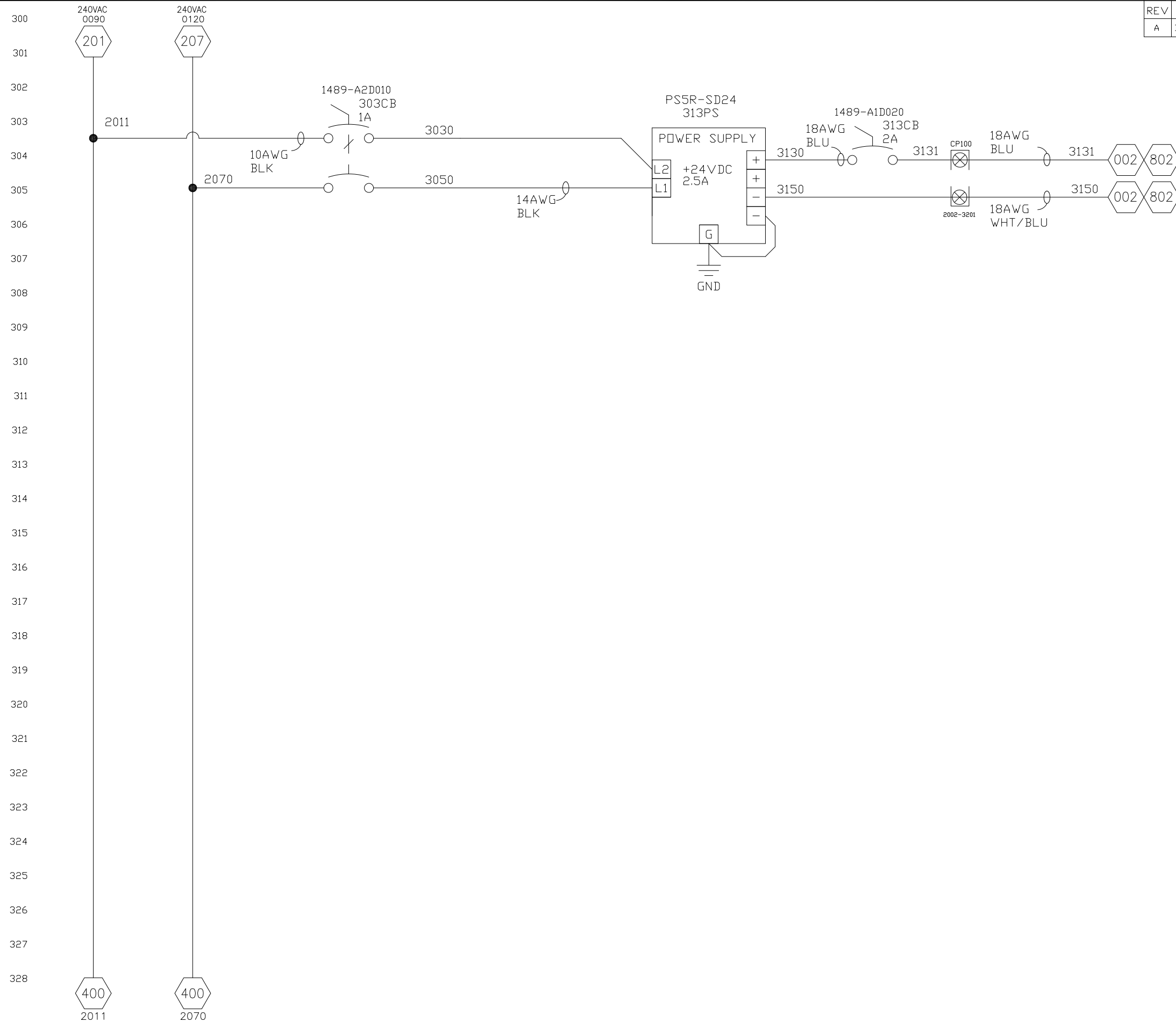


200
201
202
203
204
205
206
207
208
209
210
211
212
213
214
215
216
217
218
219
220
221
222
223
224
225
226
227
228

WORK ORDER NO: 9209	APPLIED MEMBRANES INC. <small>2450 BUSINESS PARK DR. VISTA CA 92081 PHONE: 760-727-3711 FAX: 760-727-4427</small>
DESIGN ENG: DP	
APPROVED BY: -	TITLE: 9209 PC-36-UF-PILOT-436-ELE
APPROVED BY: -	DWG NO: 9209 PC-36-UF-PILOT-436-ELE
DATE: 2017	SCALE: NONE
CUSTOMER: -	SHEET 2 - CP100

THIS PRINT CONTAINS CONFIDENTIAL INFORMATION WHICH IS THE SOLE PROPERTY OF APPLIED MEMBRANES, INC. BY ACCEPTING THIS INFORMATION, THE BORROWER AGREES THAT IT WILL NOT BE USED FOR ANY PURPOSE OTHER THAN THAT FOR WHICH IT WAS LOANED. ALL PERSONS WORKING WITH THIS INFORMATION AND RELATED INFORMATION SHOULD ACKNOWLEDGE AND EXERCISE A SENSE OF CONFIDENTIALITY.

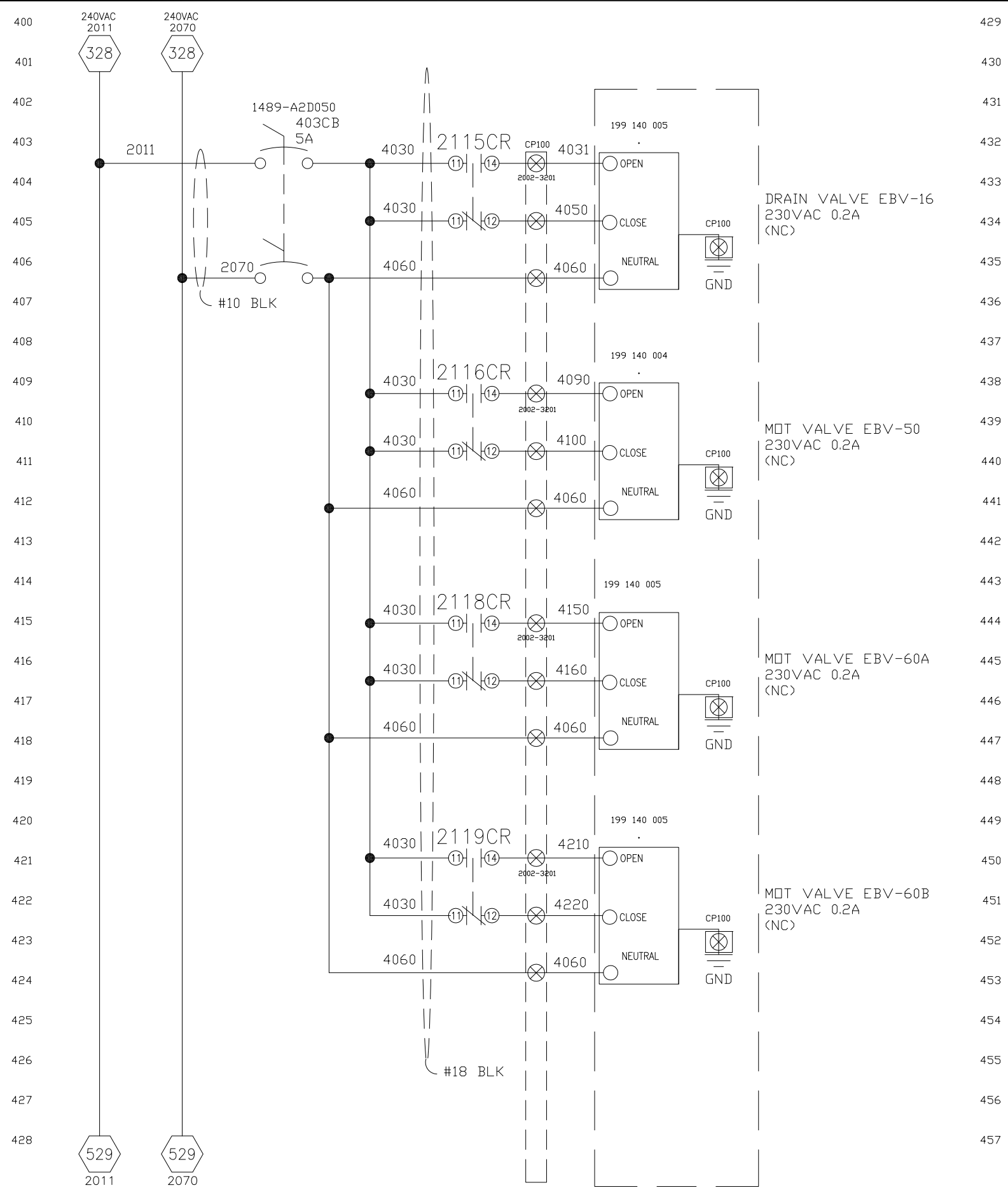
REV	DESCRIPTION	DATE
A	INITIAL PROPOSAL	2017



WORK ORDER NO:	9209	APPLIED MEMBRANES INC. 2450 BUSINESS PARK DR, VISTA CA 92081 PHONE: 760-727-3711 FAX: 760-727-4427	
DESIGN ENG:	DP		
APPROVED BY:	-	TITLE:	
APPROVED BY:	-	9209 PC-36-UF-PILOT-436-ELE	
DATE:	2017	DWG NO:	
CUSTOMER:	-	9209 PC-36-UF-PILOT-436-ELE	
		SCALE NONE	SHEET 3 - CP100

THIS PRINT CONTAINS CONFIDENTIAL INFORMATION WHICH IS THE SOLE PROPERTY OF APPLIED MEMBRANES, INC. BY ACCEPTING THIS INFORMATION, THE BORROWER AGREES THAT IT WILL NOT BE USED FOR ANY PURPOSE OTHER THAN THAT FOR WHICH IT WAS LOANED. ALL PERSONS WORKING WITH THIS INFORMATION AND RELATED INFORMATION SHOULD ACKNOWLEDGE AND EXERCISE A SENSE OF CONFIDENTIALITY.

REV	DESCRIPTION	DATE
A	INITIAL PROPOSAL	2017



429
430
431
432
433
434
435
436
437
438
439
440
441
442
443
444
445
446
447
448
449
450
451
452
453
454
455
456
457

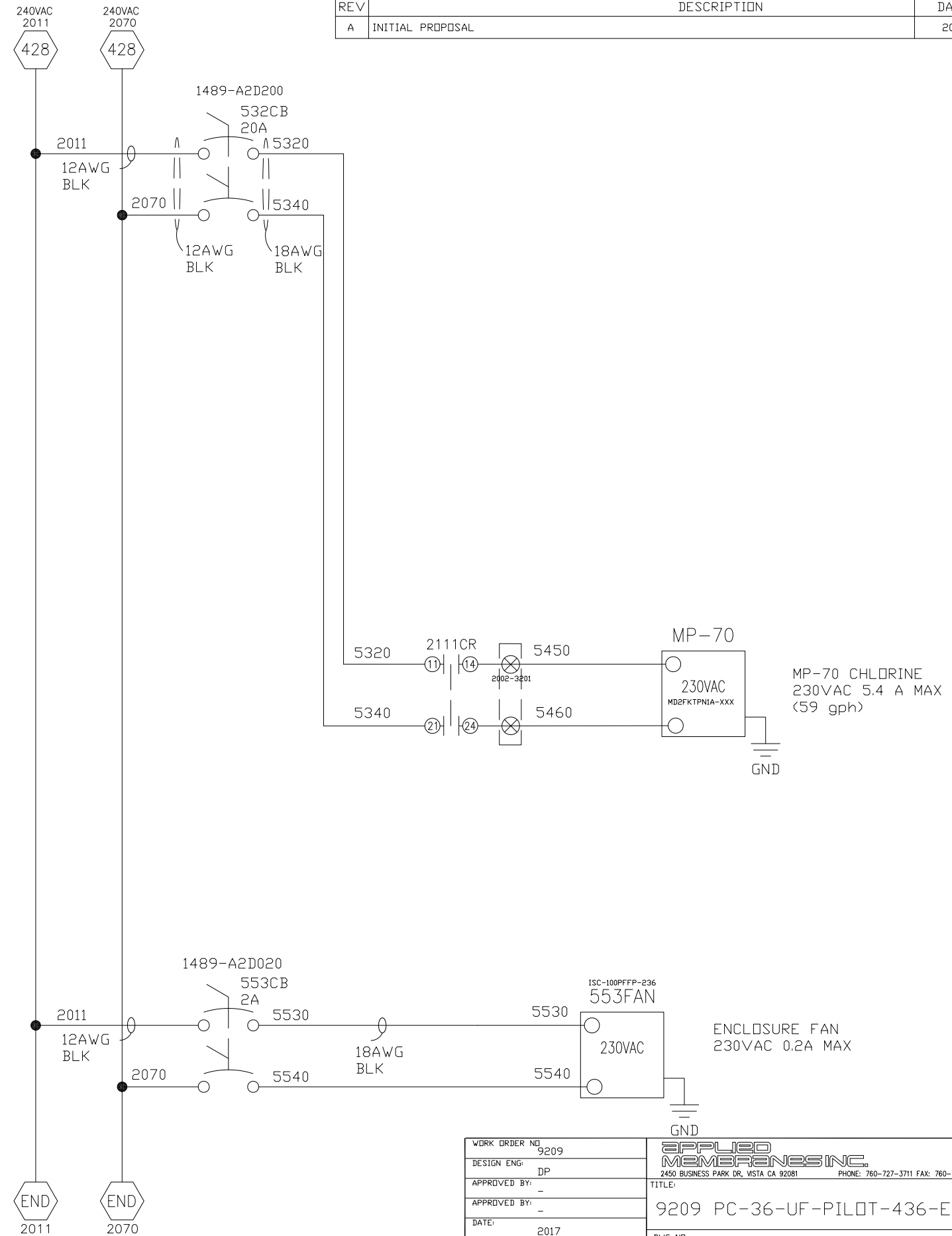
WORK ORDER NO: 9209	APPLIED MEMBRANES INC. 2450 BUSINESS PARK DR, WSTA CA 92081 PHONE: 760-727-3711 FAX: 760-727-4427	
DESIGN ENG: DP		
APPROVED BY: -		
APPROVED BY: -		
DATE: 2017		
CUSTOMER: -	TITLE: 9209 PC-36-UF-PILOT-436-ELE	
	DWG NO: 9209 PC-36-UF-PILOT-436-ELE	
	SCALE: NONE	SHEET 4 - CP100

THIS PRINT CONTAINS CONFIDENTIAL INFORMATION WHICH IS THE SOLE PROPERTY OF APPLIED MEMBRANES, INC. BY ACCEPTING THIS INFORMATION, THE BORROWER AGREES THAT IT WILL NOT BE USED FOR ANY PURPOSE OTHER THAN THAT FOR WHICH IT WAS LOANED. ALL PERSONS WORKING WITH THIS INFORMATION AND RELATED INFORMATION SHOULD ACKNOWLEDGE AND EXERCISE A SENSE OF CONFIDENTIALITY.

500
501
502
503
504
505
506
507
508
509
510
511
512
513
514
515
516
517
518
519
520
521
522
523
524
525
526
527
528

529
530
531
532
533
534
535
536
537
538
539
540
541
542
543
544
545
546
547
548
549
550
551
552
553
554
555
556
557

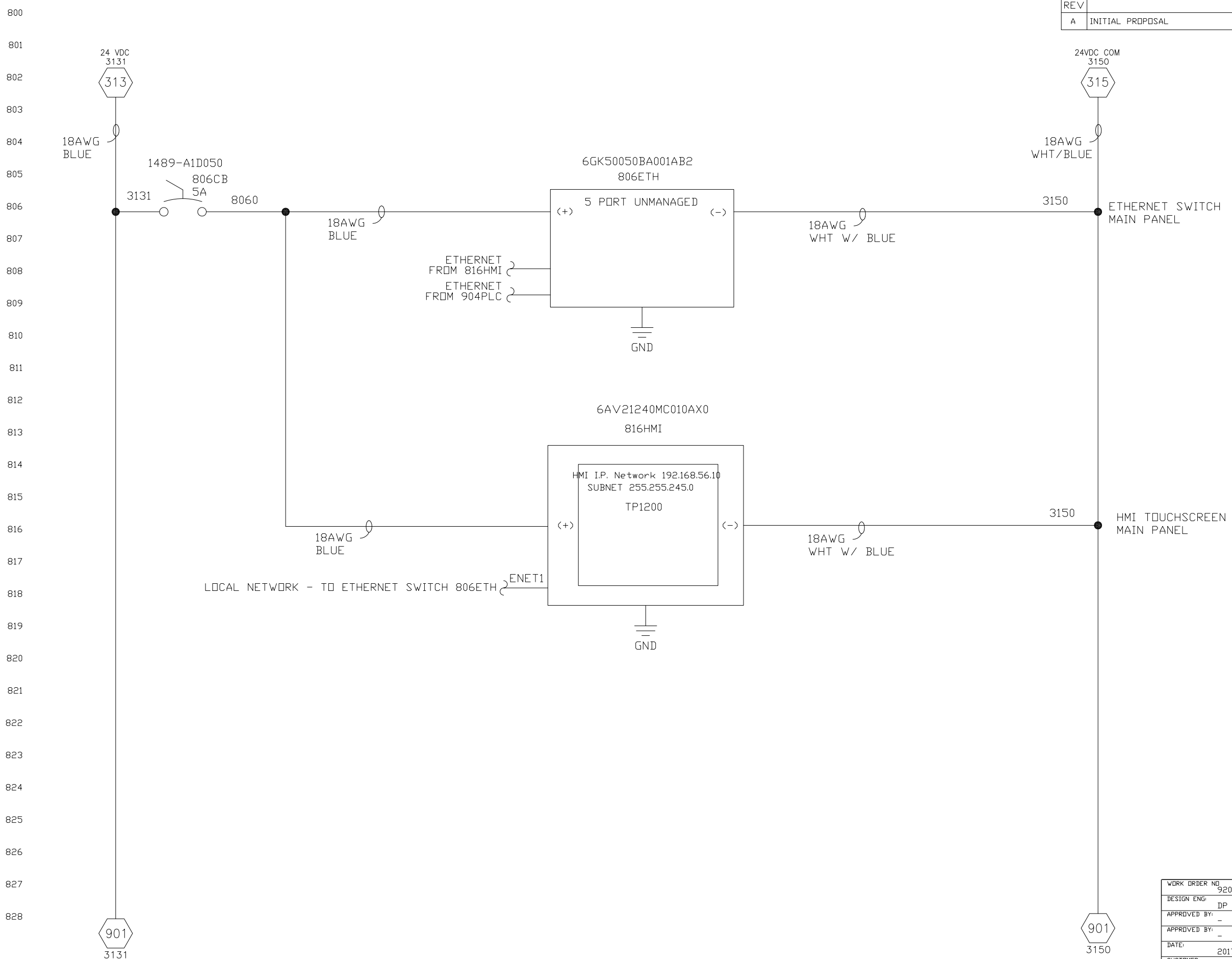
REV	DESCRIPTION	DATE
A	INITIAL PROPOSAL	2017



WORK ORDER NO:	9209	APPLIED MEMBRANES INC. 2450 BUSINESS PARK DR, VISTA CA 92081 PHONE: 760-727-3711 FAX: 760-727-4427	
DESIGN ENG:	DP		
APPROVED BY:	-	TITLE:	
APPROVED BY:	-	9209 PC-36-UF-PILOT-436-ELE	
DATE:	2017	DWG NO:	
CUSTOMER:	-	9209 PC-36-UF-PILOT-436-ELE	
		SCALE: NONE	SHEET 5 - CP100

THIS PRINT CONTAINS CONFIDENTIAL INFORMATION WHICH IS THE SOLE PROPERTY OF APPLIED MEMBRANES, INC. BY ACCEPTING THIS INFORMATION, THE BORROWER AGREES THAT IT WILL NOT BE USED FOR ANY PURPOSE OTHER THAN THAT FOR WHICH IT WAS LOANED. ALL PERSONS WORKING WITH THIS INFORMATION AND RELATED INFORMATION SHOULD ACKNOWLEDGE AND EXERCISE A SENSE OF CONFIDENTIALITY.

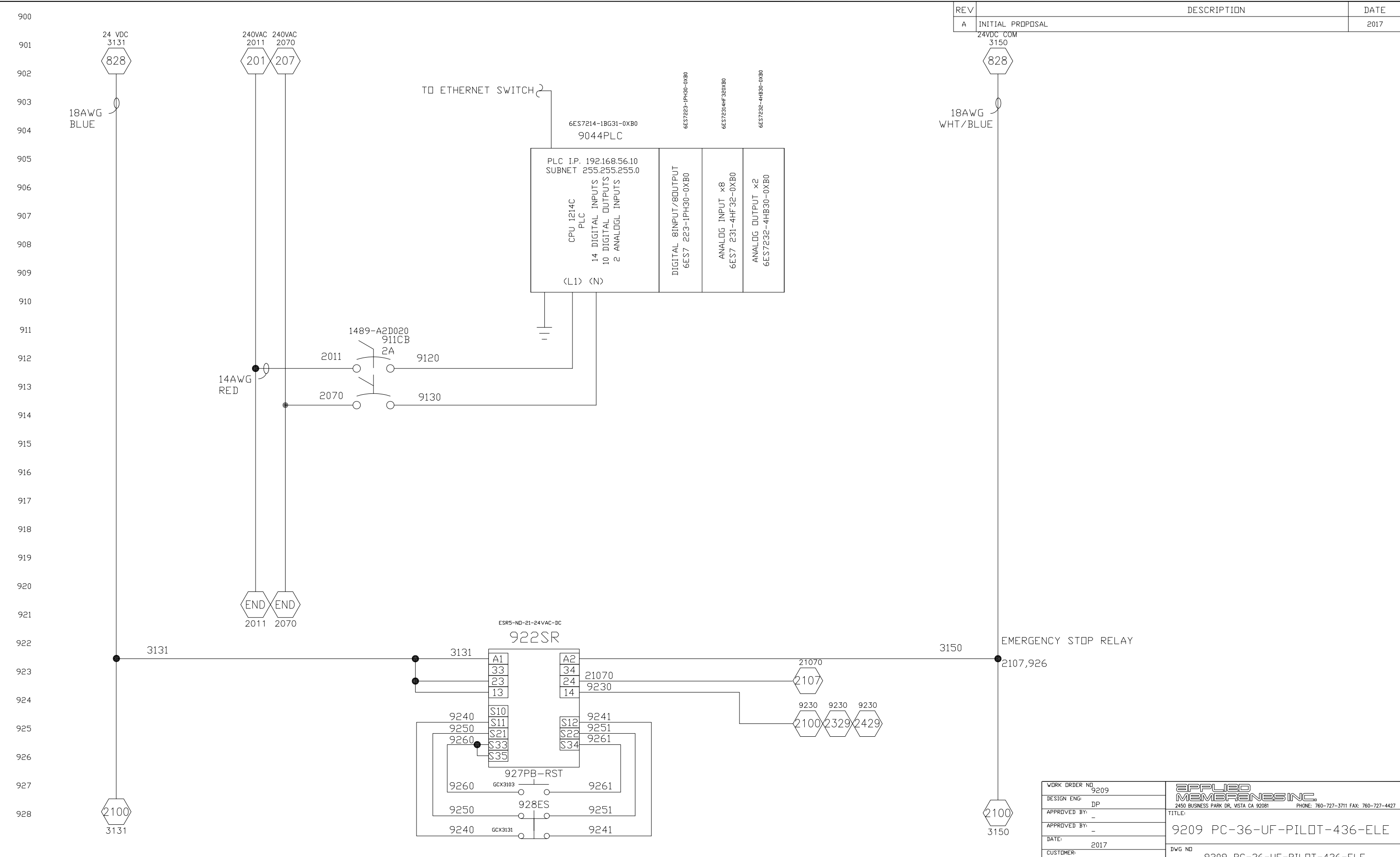
REV	DESCRIPTION	DATE
A	INITIAL PROPOSAL	2017



WORK ORDER NO: 9209	APPLIED MEMBRANES INC. 2450 BUSINESS PARK DR, VISTA CA 92081 PHONE: 760-727-3711 FAX: 760-727-4427
DESIGN ENGR: DP	TITLE:
APPROVED BY: -	9209 PC-36-UF-PILOT-436-ELE
APPROVED BY: -	DWG NO: 9209 PC-36-UF-PILOT-436-ELE
DATE: 2017	SCALE NONE
CUSTOMER: -	SHEET 8 - CP100

THIS PRINT CONTAINS CONFIDENTIAL INFORMATION WHICH IS THE SOLE PROPERTY OF APPLIED MEMBRANES, INC. BY ACCEPTING THIS INFORMATION, THE BORROWER AGREES THAT IT WILL NOT BE USED FOR ANY PURPOSE OTHER THAN THAT FOR WHICH IT WAS LOANED. ALL PERSONS WORKING WITH THIS INFORMATION AND RELATED INFORMATION SHOULD ACKNOWLEDGE AND EXERCISE A SENSE OF CONFIDENTIALITY.

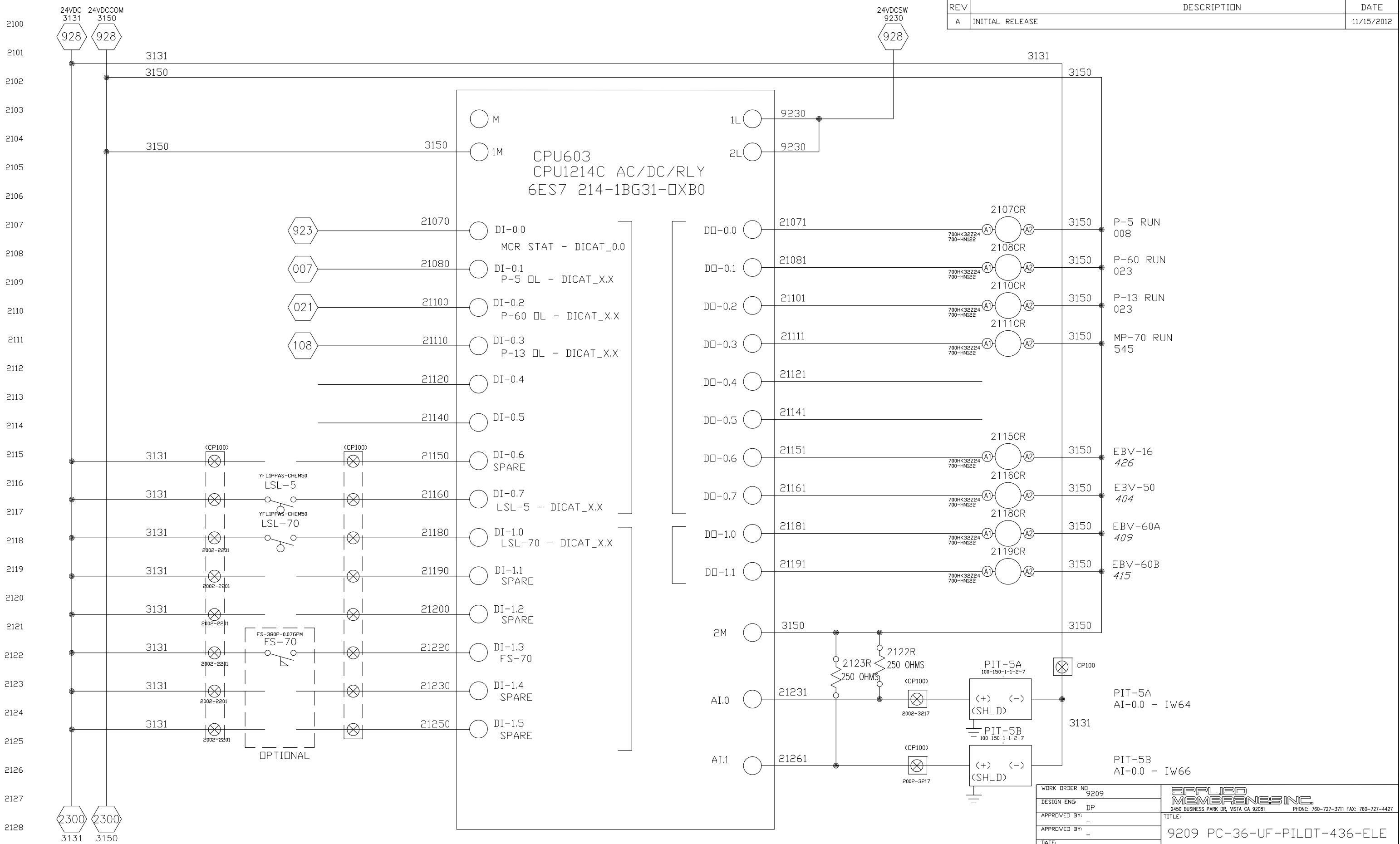
REV	DESCRIPTION	DATE
A	INITIAL PROPOSAL	2017



THIS PRINT CONTAINS CONFIDENTIAL INFORMATION WHICH IS THE SOLE PROPERTY OF APPLIED MEMBRANES, INC. BY ACCEPTING THIS INFORMATION, THE BORROWER AGREES THAT IT WILL NOT BE USED FOR ANY PURPOSE OTHER THAN THAT FOR WHICH IT WAS LOANED. ALL PERSONS WORKING WITH THIS INFORMATION AND RELATED INFORMATION SHOULD ACKNOWLEDGE AND EXERCISE A SENSE OF CONFIDENTIALITY.

WORK ORDER NO 9209	APPLIED MEMBRANES INC. 2450 BUSINESS PARK DR, VISTA CA 92081 PHONE: 760-727-3711 FAX: 760-727-4427
DESIGN ENG: DP	TITLE: 9209 PC-36-UF-PILOT-436-ELE
APPROVED BY: -	DWG NO 9209 PC-36-UF-PILOT-436-ELE
DATE: 2017	SCALE NONE
CUSTOMER: -	SHEET 9 - CP100

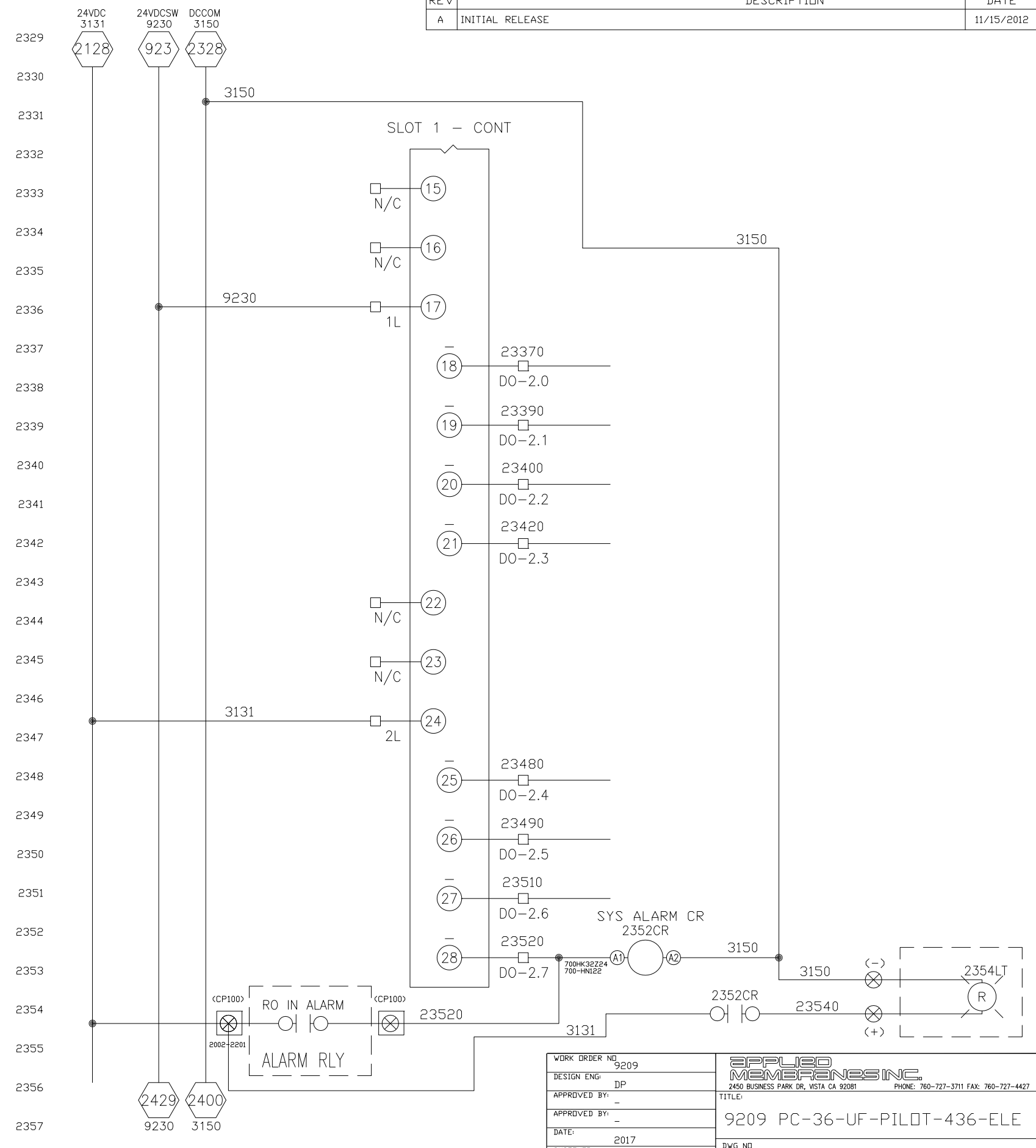
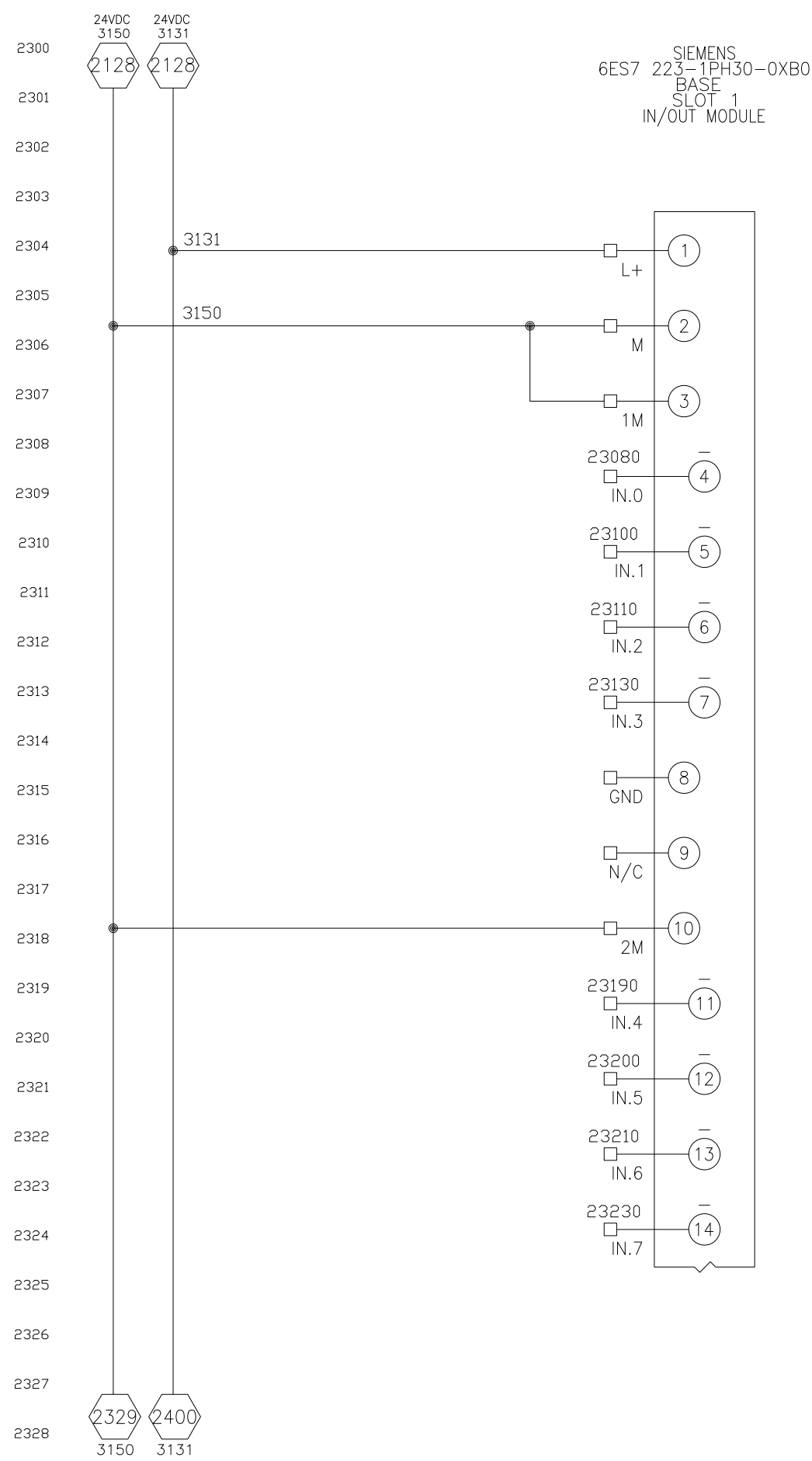
REV	DESCRIPTION	DATE
A	INITIAL RELEASE	11/15/2012



WORK ORDER NO	9209	APPLIED MEMBRANES INC. 2450 BUSINESS PARK DR, VISTA CA 92081 PHONE: 760-727-3711 FAX: 760-727-4427
DESIGN ENG	DP	
APPROVED BY:	-	TITLE:
APPROVED BY:	-	9209 PC-36-UF-PILOT-436-ELE
DATE:	2017	DWG NO
CUSTOMER:	-	9209 PC-36-UF-PILOT-436-ELE
		SCALE NONE
		SHEET 21

THIS PRINT CONTAINS CONFIDENTIAL INFORMATION WHICH IS THE SOLE PROPERTY OF APPLIED MEMBRANES, INC. BY ACCEPTING THIS INFORMATION, THE BORROWER AGREES THAT IT WILL NOT BE USED FOR ANY PURPOSE OTHER THAN THAT FOR WHICH IT WAS LOANED. ALL PERSONS WORKING WITH THIS INFORMATION AND RELATED INFORMATION SHOULD ACKNOWLEDGE AND EXERCISE A SENSE OF CONFIDENTIALITY.

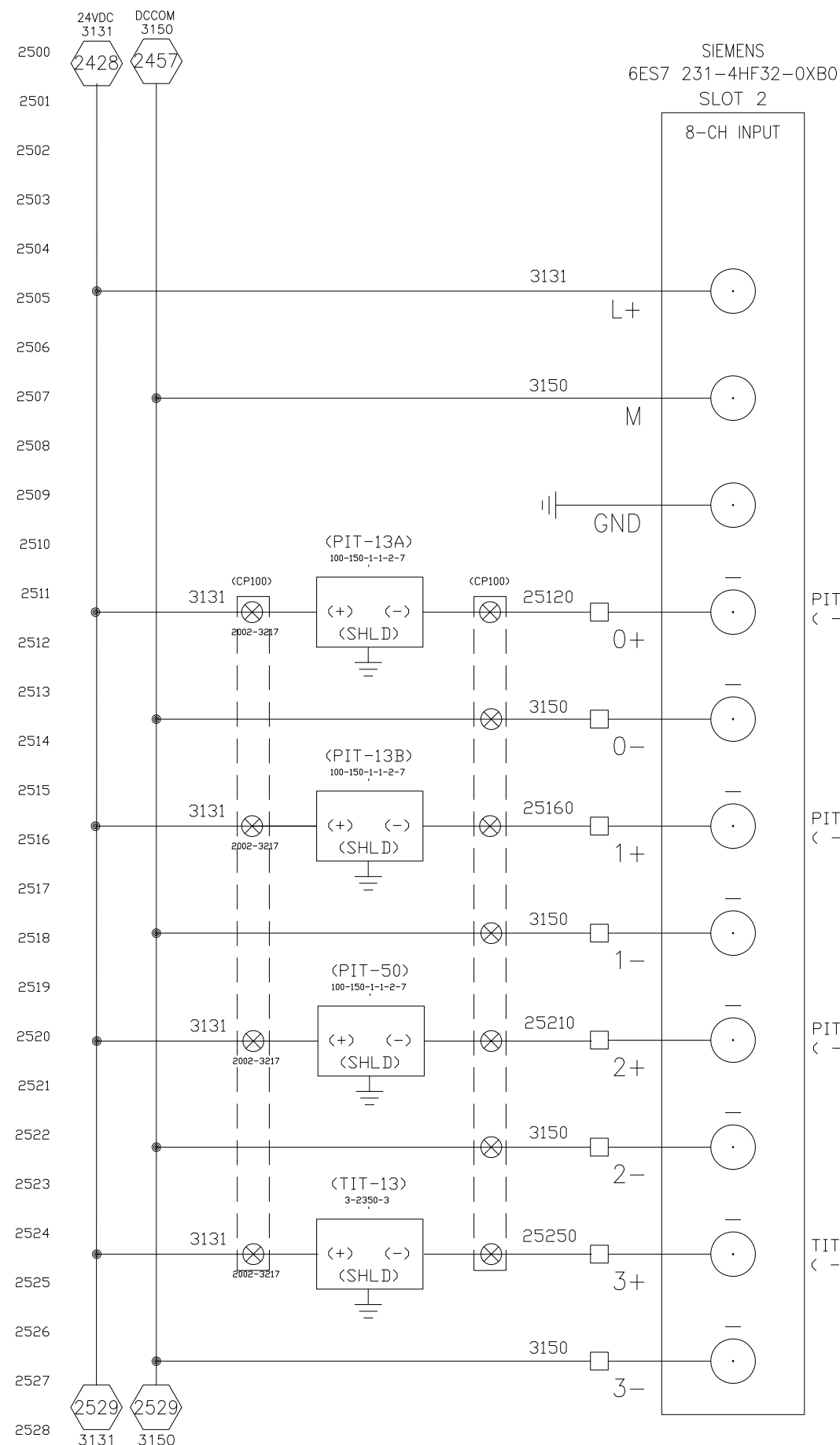
REV	DESCRIPTION	DATE
A	INITIAL RELEASE	11/15/2012



THIS PRINT CONTAINS CONFIDENTIAL INFORMATION WHICH IS THE SOLE PROPERTY OF APPLIED MEMBRANES, INC. BY ACCEPTING THIS INFORMATION, THE BORROWER AGREES THAT IT WILL NOT BE USED FOR ANY PURPOSE OTHER THAN THAT FOR WHICH IT WAS LOANED. ALL PERSONS WORKING WITH THIS INFORMATION AND RELATED INFORMATION SHOULD ACKNOWLEDGE AND EXERCISE A SENSE OF CONFIDENTIALITY.

WORK ORDER NO: 9209	APPLIED MEMBRANES INC. 2450 BUSINESS PARK DR, VISTA CA 92081 PHONE: 760-727-3711 FAX: 760-727-4427
DESIGN ENG: DP	
APPROVED BY: -	TITLE: 9209 PC-36-UF-PILOT-436-ELE
APPROVED BY: -	DWG NO: 9209 PC-36-UF-PILOT-436-ELE
DATE: 2017	SCALE: NONE
CUSTOMER: -	SHEET: 23

REV	DESCRIPTION	DATE
B	AS_BUILT	2017

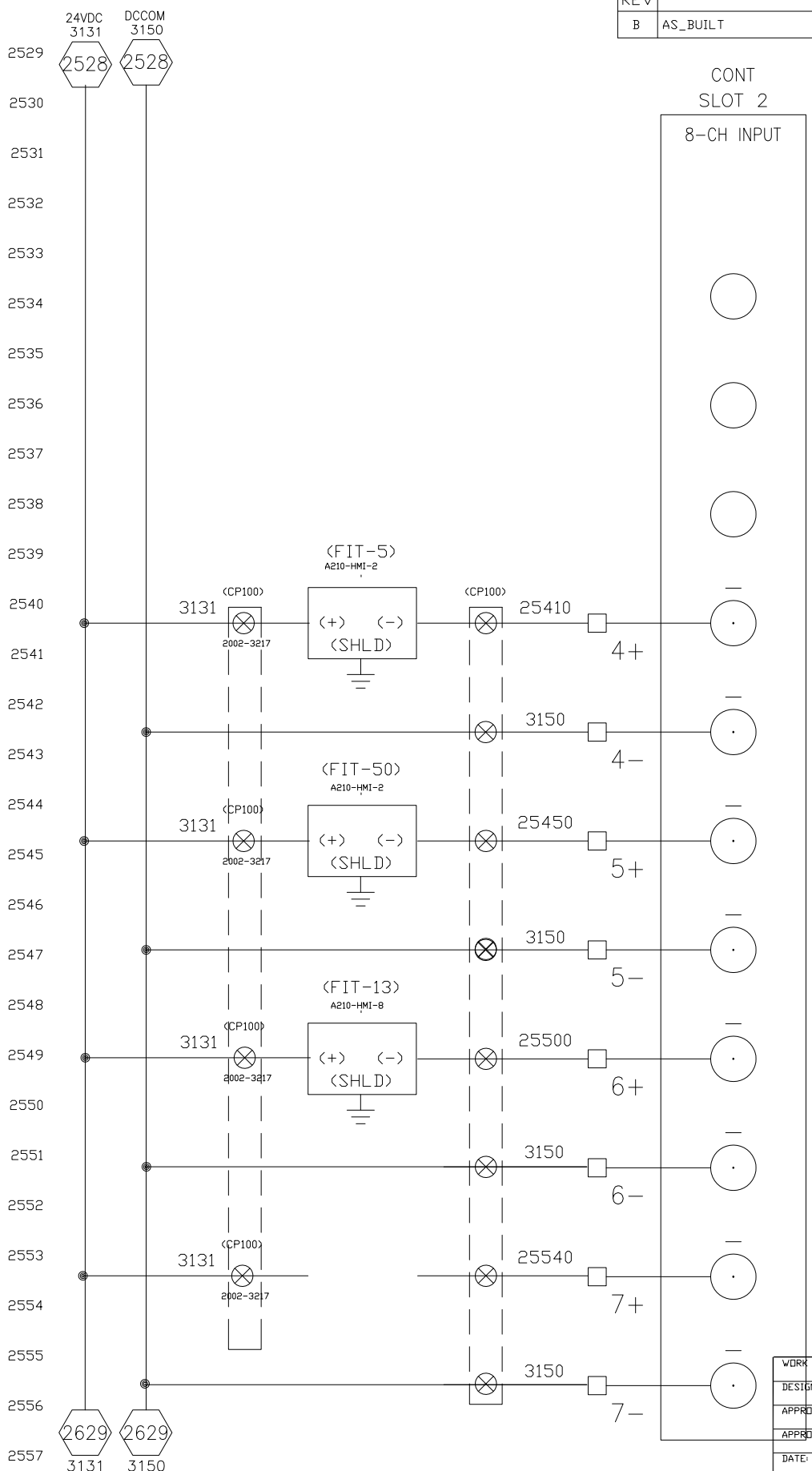


PIT-13A (4-20mA)
(- AI_0.2 - IW112)

PIT-13B (4-20mA)
(- AI_0.3 - IW114)

PIT-50 (4-20mA)
(- AI_0.4 - IW116)

TIT-13 (4-20mA)
(- AI_0.5 - IW118)



FIT-5 (4-20mA)
(- AI_0.6 - IW120)

FIT-50 (4-20mA)
(- AI_0.7 - IW122)

FIT-13 (4-20mA)
(- AI_0.8 - IW124)

SPARE (4-20mA)
(- AI_0.9 - IW126)

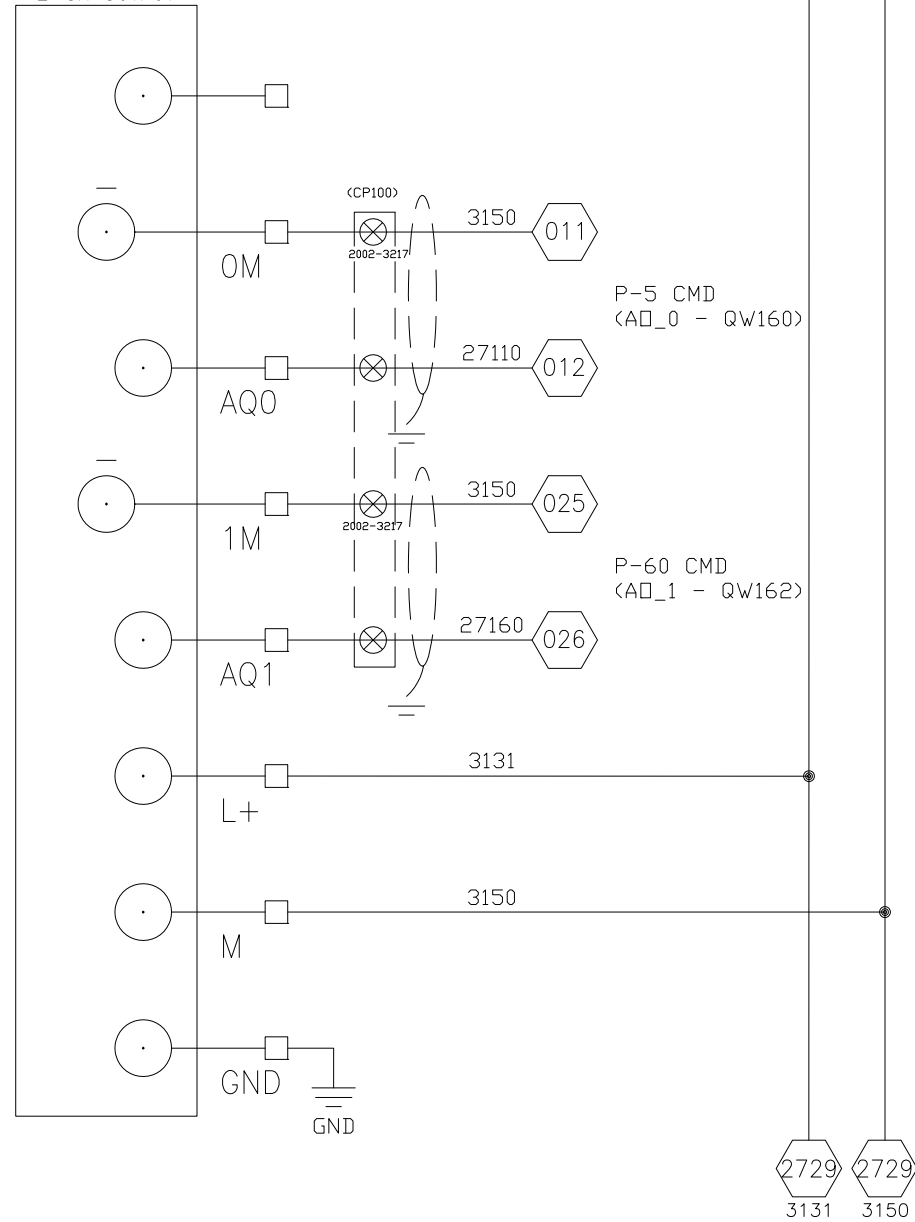
THIS PRINT CONTAINS CONFIDENTIAL INFORMATION WHICH IS THE SOLE PROPERTY OF APPLIED MEMBRANES, INC. BY ACCEPTING THIS INFORMATION, THE BORROWER AGREES THAT IT WILL NOT BE USED FOR ANY PURPOSE OTHER THAN THAT FOR WHICH IT WAS LOANED. ALL PERSONS WORKING WITH THIS INFORMATION AND RELATED INFORMATION SHOULD ACKNOWLEDGE AND EXERCISE A SENSE OF CONFIDENTIALITY.

WORK ORDER NO: 9209	APPLIED MEMBRANES INC. 2450 BUSINESS PARK DR, VISTA CA 92081 PHONE: 760-727-3711 FAX: 760-727-4427
DESIGN ENG: DP	
APPROVED BY: -	TITLE: 9209 PC-36-UF-PILOT-436-ELE
DATE: 2017	DWG NO: 9209 PC-36-UF-PILOT-436-ELE
CUSTOMER: -	SCALE NONE
	SHEET 25 - CP100

REV	DESCRIPTION	DATE
B	AS_BUILT	2017

2700
2701
2702
2703
2704
2705
2706
2707
2708
2709
2710
2711
2712
2713
2714
2715
2716
2717
2718
2719
2720
2721
2722
2723
2724
2725
2726
2727
2728

SIEMENS
6ES7 232-4HB30-0XB0
BASE
SLOT 3
2-CH OUTPUT



2729
2730
2731
2732
2733
2734
2735
2736
2737
2738
2739
2740
2741
2742
2743
2744
2745
2746
2747
2748
2749
2750
2751
2752
2753
2754
2755
2756
2757

THIS PRINT CONTAINS CONFIDENTIAL INFORMATION WHICH IS THE SOLE PROPERTY OF APPLIED MEMBRANES, INC. BY ACCEPTING THIS INFORMATION, THE BORROWER AGREES THAT IT WILL NOT BE USED FOR ANY PURPOSE OTHER THAN THAT FOR WHICH IT WAS LOANED. ALL PERSONS WORKING WITH THIS INFORMATION AND RELATED INFORMATION SHOULD ACKNOWLEDGE AND EXERCISE A SENSE OF CONFIDENTIALITY.

WORK ORDER NO: 9209	APPLIED MEMBRANES INC. 2450 BUSINESS PARK DR, VISTA CA 92081 PHONE: 760-727-3711 FAX: 760-727-4427
DESIGN ENG: DP	
APPROVED BY: -	TITLE: 9209 PC-36-UF-PILOT-436-ELE
APPROVED BY: -	DWG NO: 9209 PC-36-UF-PILOT-436-ELE
DATE: 2017	SCALE: NONE
CUSTOMER: -	SHEET 27 - CP100