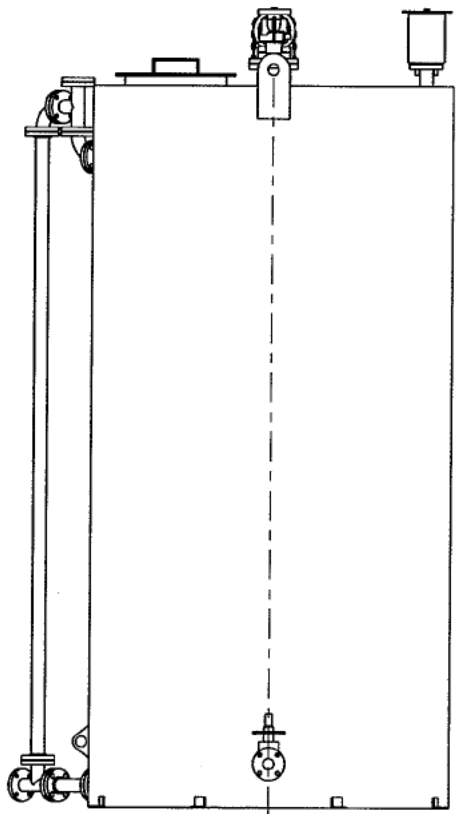
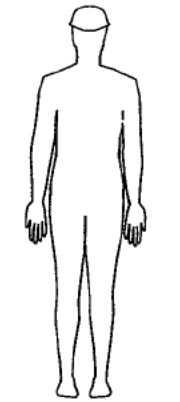
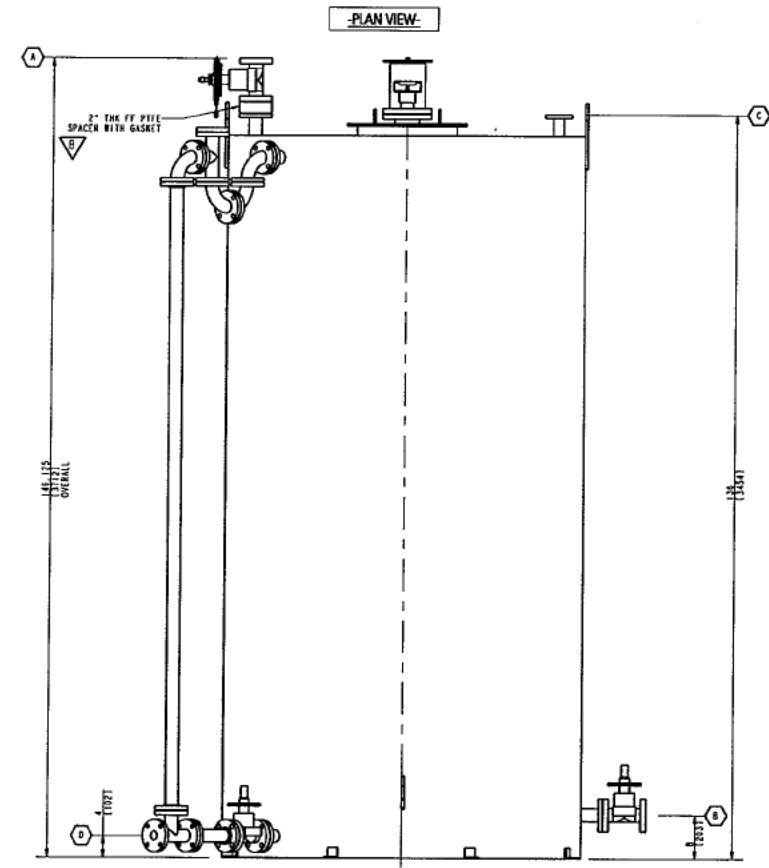
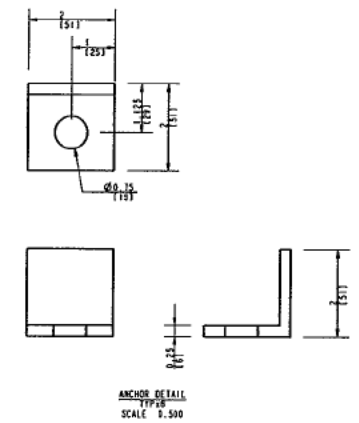
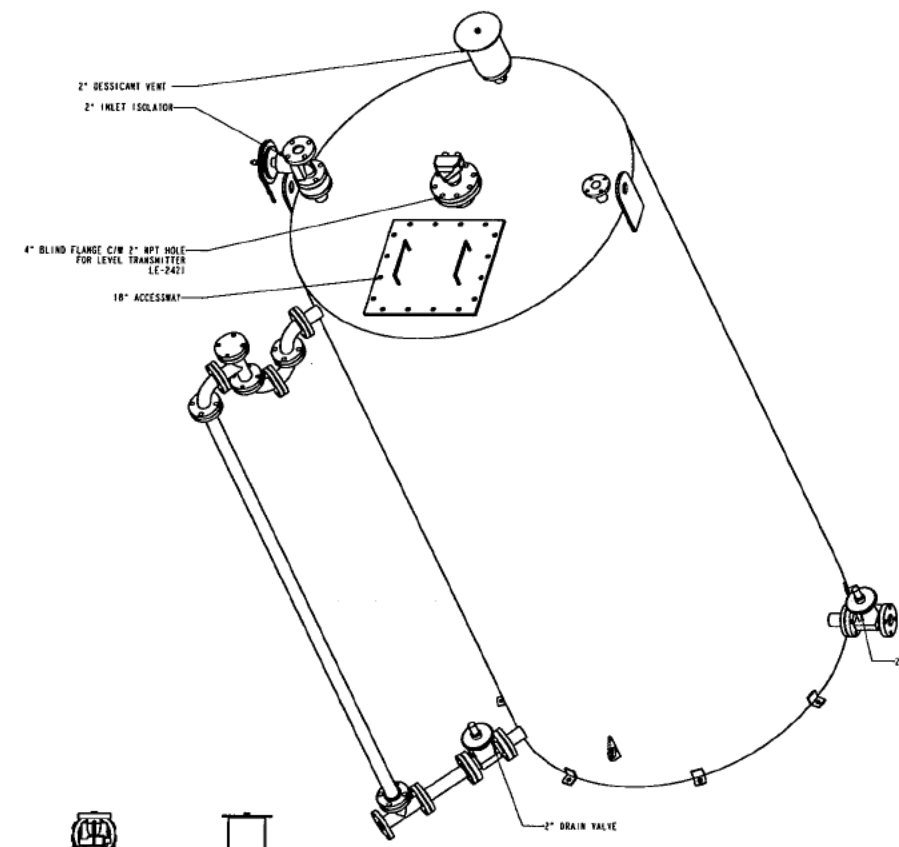
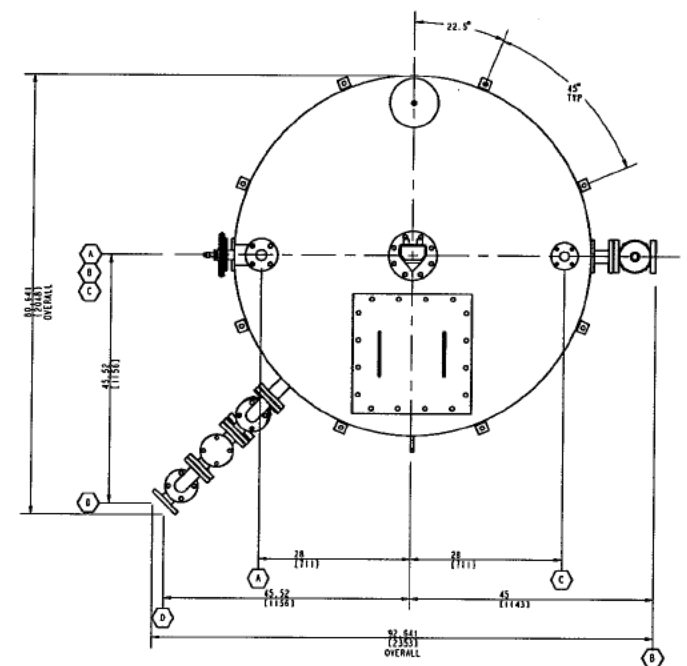


8 7 6 5 4 3 2 1

REVISION HISTORY						
REV	DESCRIPTION	ECO	OWN	DATE	APVD	CHKD
A	INITIAL RELEASE	-	-	28-Jan-95	-	-
B	REVISED AS BUILT	-	-	14-Oct-95	-	-

-NOTES-

- CONNECTION SCHEDULE
- | HEX | DESCRIPTION | MATERIAL | TYPE | SIZE |
|-----|--------------------------|----------|--------------|------|
| A | ACID INLET | PTFE-L | 150 # FLANGE | 2.0 |
| B | ACID OUTLET | PTFE-L | 150 # FLANGE | 2.0 |
| C | REGEN SKID RELIEF/RETURN | CS | 150 # FLANGE | 1.5 |
| D | OVERFLOW/DRAIN | PTFE-L | 150 # FLANGE | 2.0 |
- SHIPPING WEIGHT - 0,000 LBS/0,000 Kg.
 - OPERATING WEIGHT - 0,000 LBS/0,000 Kg.
 - QUANTITY REQUIRED - ONE (1) ASSEMBLY AS SHOWN.
 - TOLERANCE ON ALL TERMINATION POINTS ±0.318"/±10mm.
 - PLUMBING ROWS:
- | ITEM | DESCRIPTION | DWG NO |
|------|------------------------------|--------|
| 1 | PLUMB, OVERFLOW, PTFE-L, 2.0 | |
- ALL DIMENSIONS IN INCHES (MILLIMETERS IN BRACKETS).
 - REFERENCE - PROCESS AND INSTRUMENTATION DIAGRAM.
 - CLEANING & PACKAGING - N/A.
 - ALL PIPE SUPPORTS ARE REMOVED FOR CLARITY. PIPING WILL BE FULLY SUPPORTED BY GEI/PT.



TEL-23281
ACID STORAGE TANK
66" DIA x 132" HEIGHT
2000 GALLON CAPACITY
CARBON STEEL CONSTRUCTION

D
C
B
A

D
C
B
A

8 7 6 5 4

-FRONT VIEW-

-RIGHT VIEW-

-AUXILIARY VIEWS-