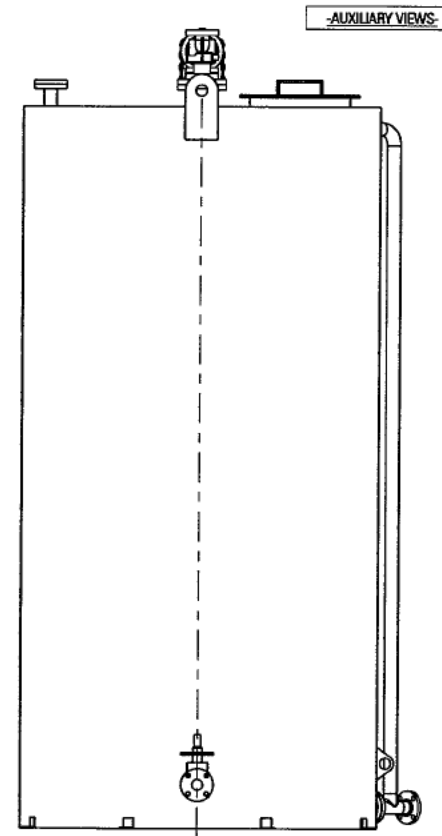
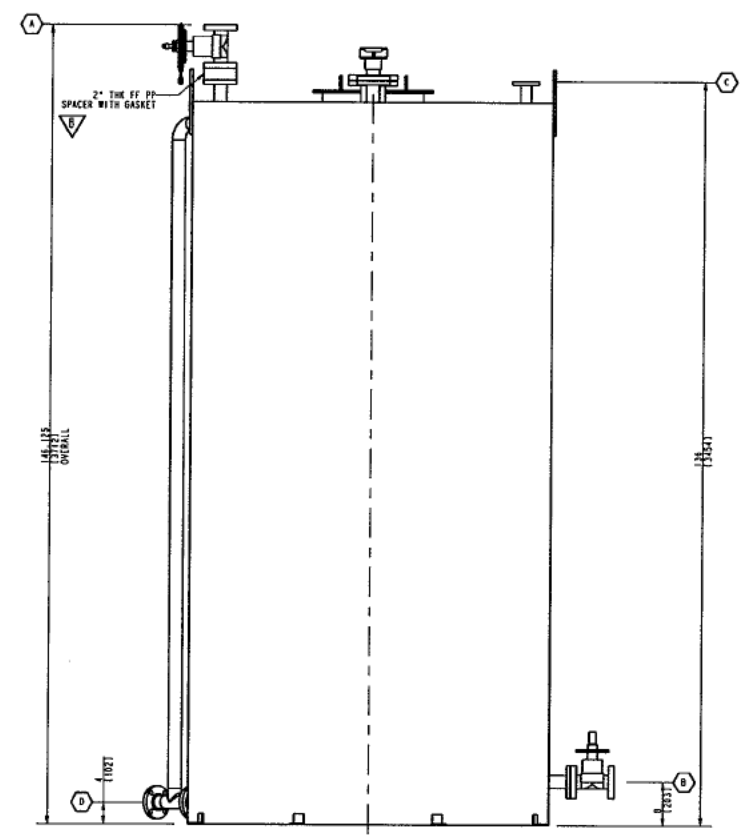
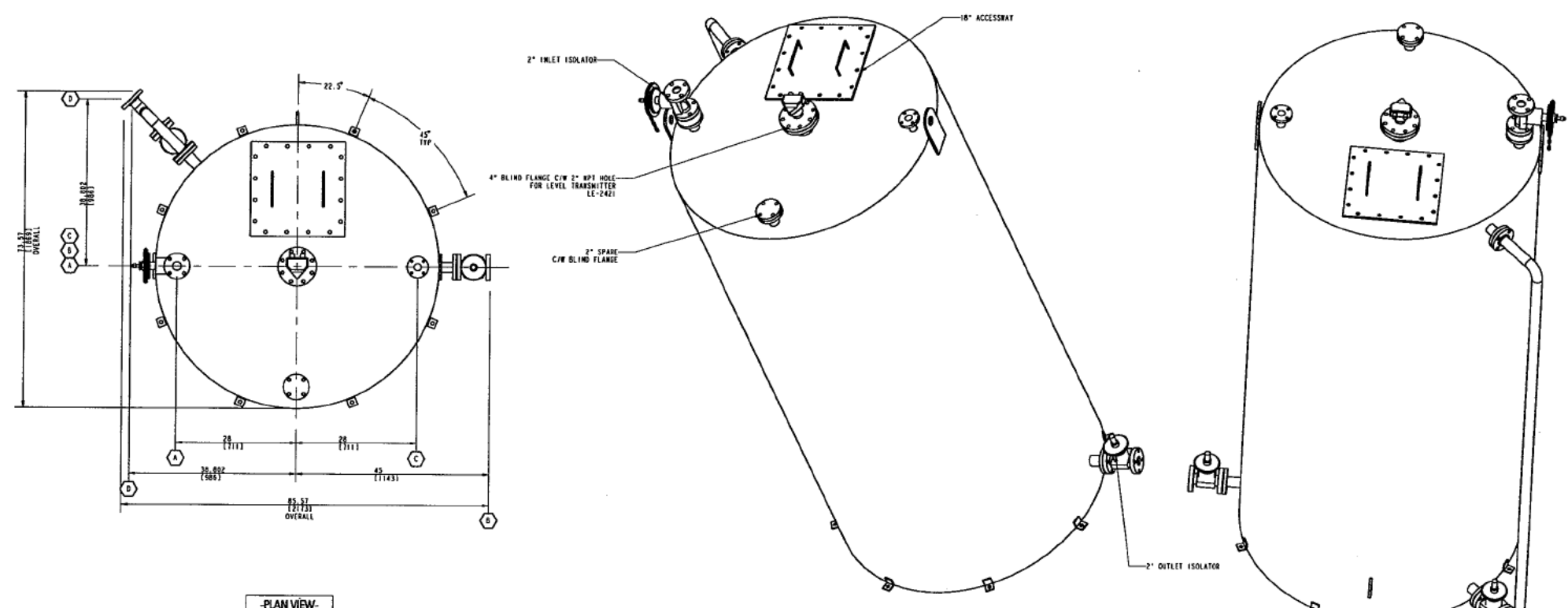


8 7 6 5 4 3 2 1



REVISION HISTORY						
REV	DESCRIPTION	ECO	DWN	DATE	APVD	CHKD
A	INITIAL RELEASE	-	-	28-Jan-85	-	-
B	REVISED AS BUILT	-	-	14-Oct-85	-	-

-NOTES-

1. CONNECTION SCHEDULE

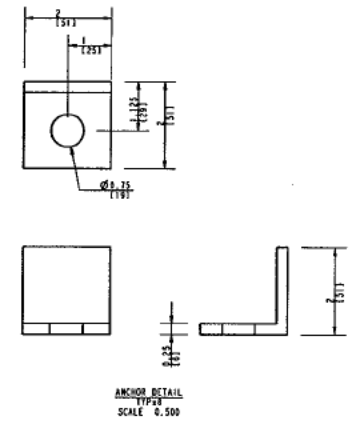
HEX	DESCRIPTION	MATERIAL	TYPE	SIZE
A	CAUSTIC INLET	CS	150 # FLANGE	2.4
B	CAUSTIC OUTLET	CS	150 # FLANGE	2.4
C	REGN SKID RELIEF/RETURN	CS	150 # FLANGE	1.5
D	OVERFLOW/RAIN	SCH 10 SS	150 # FLANGE	2.0

- 2. SHIPPING WEIGHT - 7,500 LBS/1124 Kg.
- 3. OPERATING WEIGHT - 27,500 LBS/12474 Kg.
- 4. QUANTITY REQUIRED - ONE (1) ASSEMBLY AS SHOWN.
- 5. TOLERANCE ON ALL TERMINATION POINTS ±3/8" (±10mm).

6. PLUMBING BOM:

ITEM	DESCRIPTION	DWG NO
1	PLMB. OVERFLOW, 316, 2.00	23000410-582

- 7. ALL DIMENSIONS IN INCHES (MILLIMETERS IN BRACKETS).
- 8. REFERENCE - PROCESS AND INSTRUMENTATION DIAGRAM: 2300041-353 SHEET 12 OF 15
- 9. CLEANING & PACKAGING - N/A.
- 10. ALL PIPE SUPPORTS ARE REMOVED FOR CLARITY. PIPING WILL BE FULLY SUPPORTED BY OLEMP.



EX-2401
CAUSTIC STORAGE TANK
66" DIA x 132" HEIGHT
2000 GALLON CAPACITY
CARBON STEEL CONSTRUCTION

8 7 6 5 4 3 2 1