

MANIFOLD FILTER SYSTEM FOR NON-STOP OPERATION

# Multiplex Filters and Strainers From Rosedale Products

These high-capacity filters and strainers require no flow interruption for servicing

- For use with filter bags for filtering to as fine as one micron, or with perforated strainer baskets
- From 2 to 10 Model 8 housings are mounted in parallel to inlet and outlet manifolds
- Each unit has inlet and outlet valves, gage ports, and a drain port, to permit servicing one at a time
- These are completely packaged free-standing systems in carbon steel and stainless steel

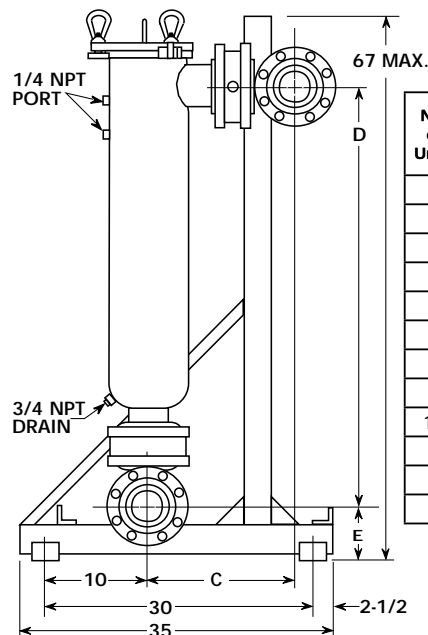
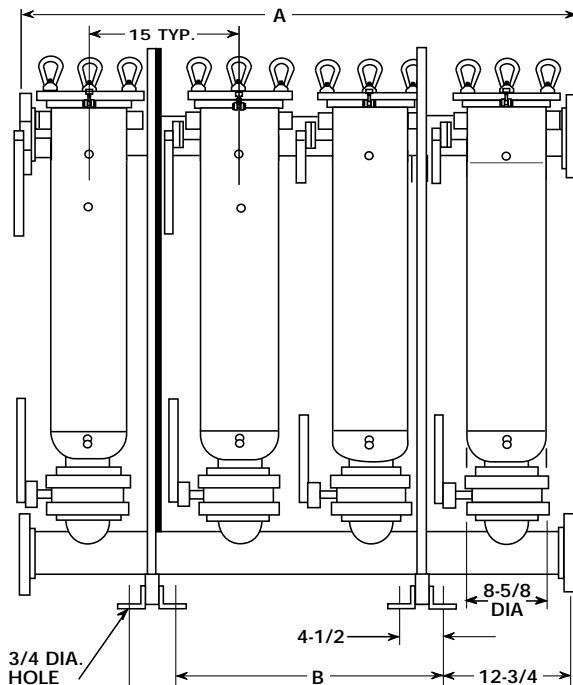


Standard Model 8 Triplex



Special Multi-Bag Multiplex

## Dimensions (IN)



No. of Units	A	B	Inlet-Outlet Header Size	Valve Size	C	D	E
2	40	30	3	2	14.9	45.9	5.5
3	45	15	3	3	15.1	46.4	5.5
4	60	30	3	4	N/A	N/A	N/A
5	75	45	4	2	15.7	46.7	6.0
6	90	60	4	3	15.8	47.1	6.0
7	105	75	4	4	17.2	48.7	6.0
8	120	90	5	2	16.7	47.7	7.1
9	135	105	5	3	16.8	48.1	7.1
10	150	120	6	4	18.2	49.7	7.1
			8	2	17.9	48.9	8.1
			8	3	18.1	49.4	8.1
			8	4	19.4	50.9	8.1

# R How To Order

Build an ordering code as shown in the example

**Example:** **M8-30-10 - 8F - 4 - 150 - C - B - S - M - 200 - D - C - 2M-50**

	Housing	Options	
<b>MODEL NO.</b>			<b>OPTIONAL INNER BASKET</b>
Multiplex = <b>M8-30</b>			<b>INNER BASKET, MEDIA SIZE</b> Perforation diameters (for type 2P baskets) <b>1/4, 3/16, 9/64, 3/32, 1/16</b> Mesh sizes (for type 2M and 2BM baskets) <b>20, 30, 40, 50, 60, 70, 80, 100, 150, 200</b>
<b>NUMBER OF HOUSINGS</b> <b>2, 3, 4, 5, 6, 7, 8, 9, 10</b>			<b>INNER BASKET, TYPE</b> <b>No sym.</b> = No inner basket <b>2P</b> = Perforated strainer <b>2B</b> = Filter bag* <b>2M</b> = Mesh-lined strainer <b>2BM</b> = Mesh-lined filter bag
<b>PIPE SIZE (FLANGED)</b> 3-in. = <b>3F</b> 4-in. = <b>4F</b> 6-in. = <b>6F</b> 8-in. = <b>8F</b>			<b>ASME CODE STAMP</b> <b>C</b> = Code
<b>VALVE TYPE &amp; SIZE (INCH)</b> Butterfly type = <b>2, 3, 4</b>			<b>DISPLACER</b> <b>D</b> = Displacer
<b>PRESSURE RATING</b> 150 psi = <b>150</b>			<b>OUTER BASKET, MEDIA SIZE</b> Perforation diameters (for type P baskets) <b>1/4, 3/16, 9/64, 3/32, 1/16</b> Mesh sizes (for type M and BM baskets) <b>20, 30, 40, 50, 60, 70, 80, 100, 150, 200</b>
<b>HOUSING MATERIAL</b> Carbon steel = <b>C</b> 304 stainless steel = <b>S</b> 316 stainless steel = <b>S316</b>			<b>OUTER BASKET, TYPE</b> <b>PB</b> = Perforated strainer <b>B</b> = Filter bag* <b>M</b> = Mesh-lined strainer <b>BM</b> = Mesh-lined filter bag
<b>COVER SEAL</b> Buna N = <b>B</b> Ethylene Propylene = <b>E</b> Viton® = <b>V</b> Teflon® Encapsulated Viton® = <b>TEV</b> Teflon® (solid white) = <b>TSW</b>			
<b>BASKET SEAL</b> Seal required = <b>S</b>			

1. Flanges provided with the housing match the pressure rating of the vessel. Housings rated 150 psi have 150 class flanges. ANSI B16.5 Pressure-Temperature rating tables determine flange class for ASME housings.
2. Higher pressure ratings available. Consult factory.
3. Filter bags are ordered separately. See page 134.